



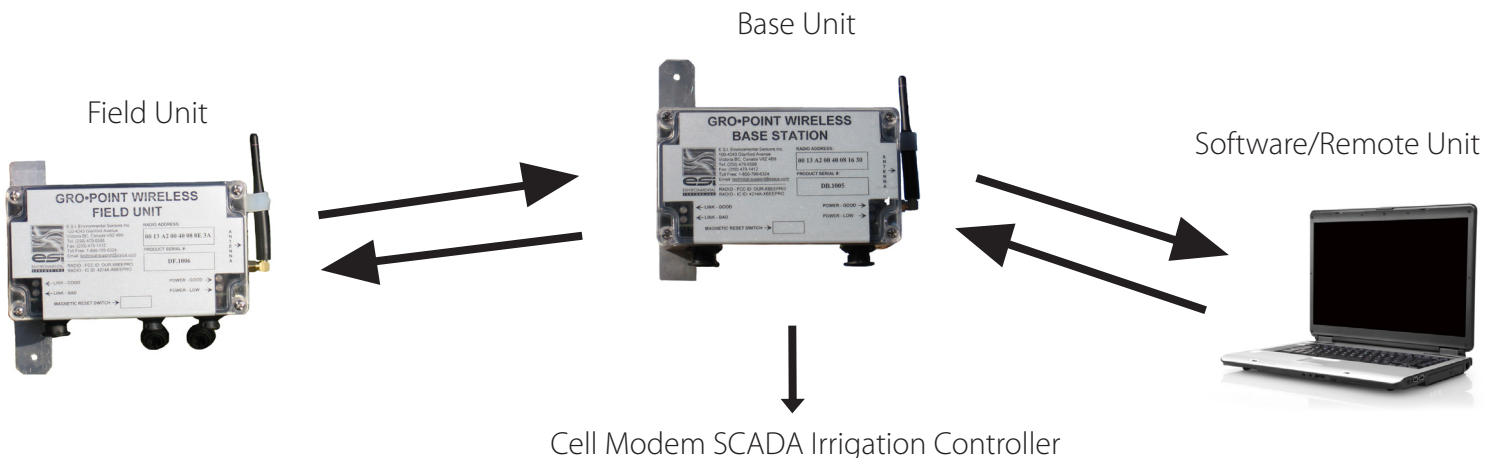
“Wireless crop monitoring enables precision irrigation while simplifying installation and allowing users to view real time information from the comfort of their office”

Gro-Point™ Wireless Solutions

ESI Gro-Point™ Wireless Solutions enable you to remotely monitor and control soil moisture and temperature.

- Real-time management of frost protection and irrigation scheduling
- Alert/Alarm modes for frost protection and irrigation scheduling
- Automated wireless irrigation control through feedback to your controller (see available outputs)
- Easy to install and use with little effort or training
- Low power, plug-and-play, weatherproof and durable
- Improve quality of your product by evaluating and reacting to timely information provided wirelessly
- Avoid problems and costs associated with cabling and trenching
- Real time Moisture and Temperature data sent to computer, cellular modem, irrigation controller, frost protection system, data logger, long-range radio telemetry

Gro-Point™ provides accurate, cost effective soil moisture measurement. Gro-Point™ can be deployed in irrigation sensitive zones, such as around the root zone, to enable you to take full control of your precision irrigation needs





"Gro-Point™ wireless is a plug and play system that offers sophisticated irrigation management from an easy to use system."

Gro-Point™ Wireless Solutions

Gro-Point™ Base Station

- Always on, AC or DC powered
- Can handle up to four (4) field units or eight sensors
- Outputs: 0-5VDC or 4-20mA
- Intelligent data management
- Can output to irrigation Controllers
- 1.5 km / 1 mile range



Gro-Point™ Field Unit

- Reads up to one (1) Gro-Point™ soil moisture sensor and one (1) temperature sensor
- Configurable sampling and reporting intervals
- Automatic alarm sampling and reporting intervals
- Power: six AA batteries – life expectancy 6 months with default settings
- 1.5 km / 1 mile range



Gro-Point™ Wireless Software and Remote Unit

- Radio module plugs into a computer via a USB connector
- Can be used with a laptop from a vehicle
- Adjust operating parameters remotely (intervals, thresholds)
- Access data from Gro-Point soil moisture and temperature sensors connected to up to 4 field stations for each base station
- Graphical display of real time conditions
- Can be expanded with unlimited base stations

ESI reserves the right to change specifications without notice